



# YC215-9

CE

Machine Weight : 22300 kg

Bucket Capacity : 0.9~1.1 m<sup>3</sup>

Engine Power : 140/2200 kW/rpm

- YUCHAI Engine
- Structural Reliability
- Excellent Performance
- High Efficiency



## ► Technical Specification

### Basic parameter

Machine weight	22300 kg
Bucket capacity	0.9~1.1 m <sup>3</sup>

### Performance parameter

Engine model	YUCHAI
Engine power	140/2200 kW/rpm
Max. Gradeability	35°
Max. digging force of arm	109 kN
Max. digging force of bucket	150 kN
Traveling speed	3.4/5.2 km/h
Max. hauling force	195 kN
Slewing speed of platform	11~13 rpm

### Operating parameter

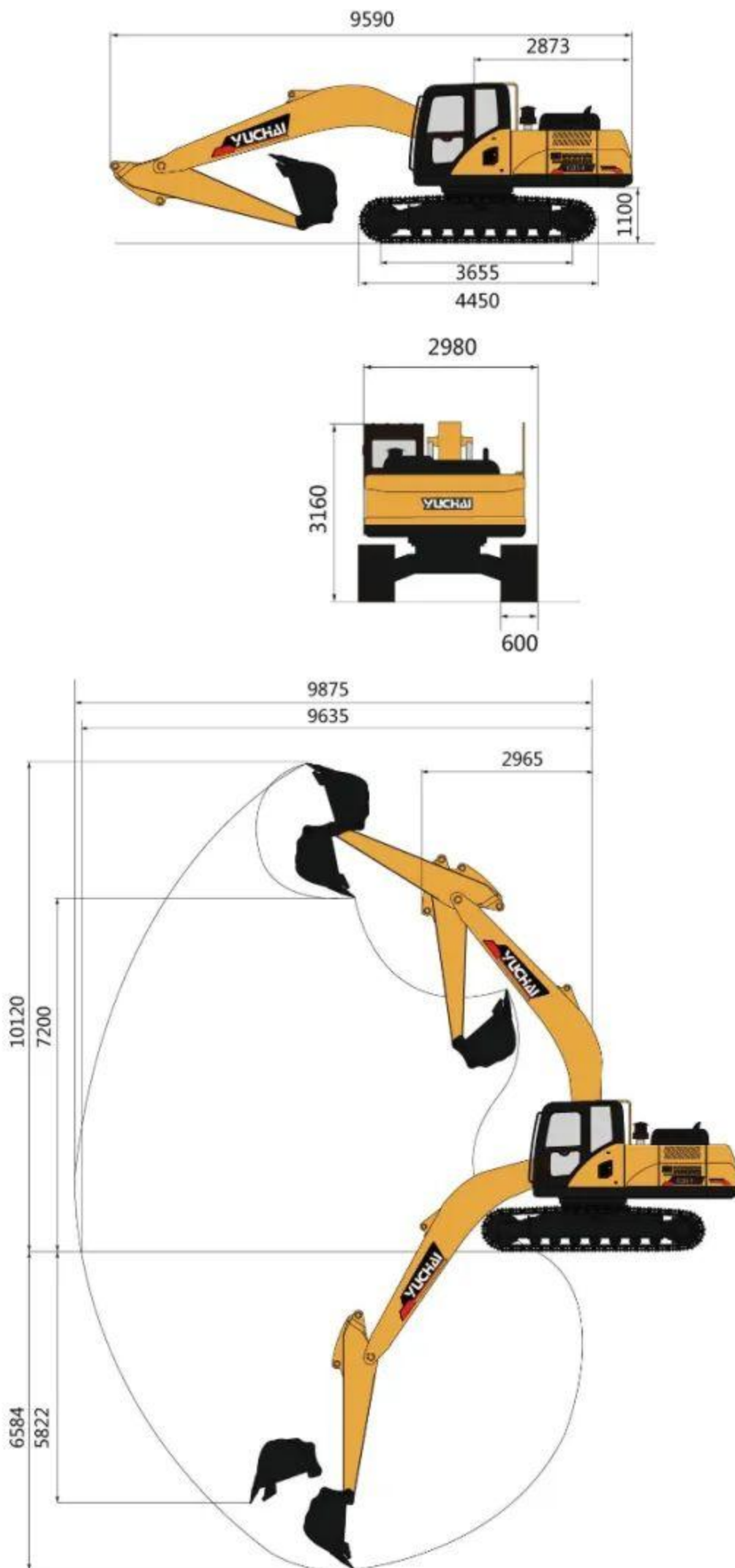
Max. digging height	10120 mm
Max. digging depth	6584 mm
Max. digging radius	9875 mm
Max. digging radius on ground level	9635 mm
Max. dumping height	7200 mm
Min. slewing radius	2965 mm
Max. vertical digging depth	5822 mm

### Transportation dimension

Overall length	9590 mm
Overall width	2980 mm
Overall height	3160 mm

### Other Parameter

Width of undercarriage	2980 mm
Length of track	4550 mm
Width of track	600 mm
Height between undercarriage and ground	470 mm
Height between platform and ground	1100 mm
Platform tail turning radius	2873 mm
Track gauge	3655 mm
Fuel tank capacity	325 L
Hydraulic oil tank capacity	200 L



Guangxi Yuchai Heavy Industry Co.,Ltd.  
 Address:No.168 Tianqiao Road, Yulin, Guangxi, China  
 Tel: +86-775-3223503  
 Fax:+86-775-3223503  
 Email: dig@yuchai.cn, ychi-export@yuchai.cn  
 Website:www.yuchaicm.com

Specifications are subject to change without prior notice