



# U18

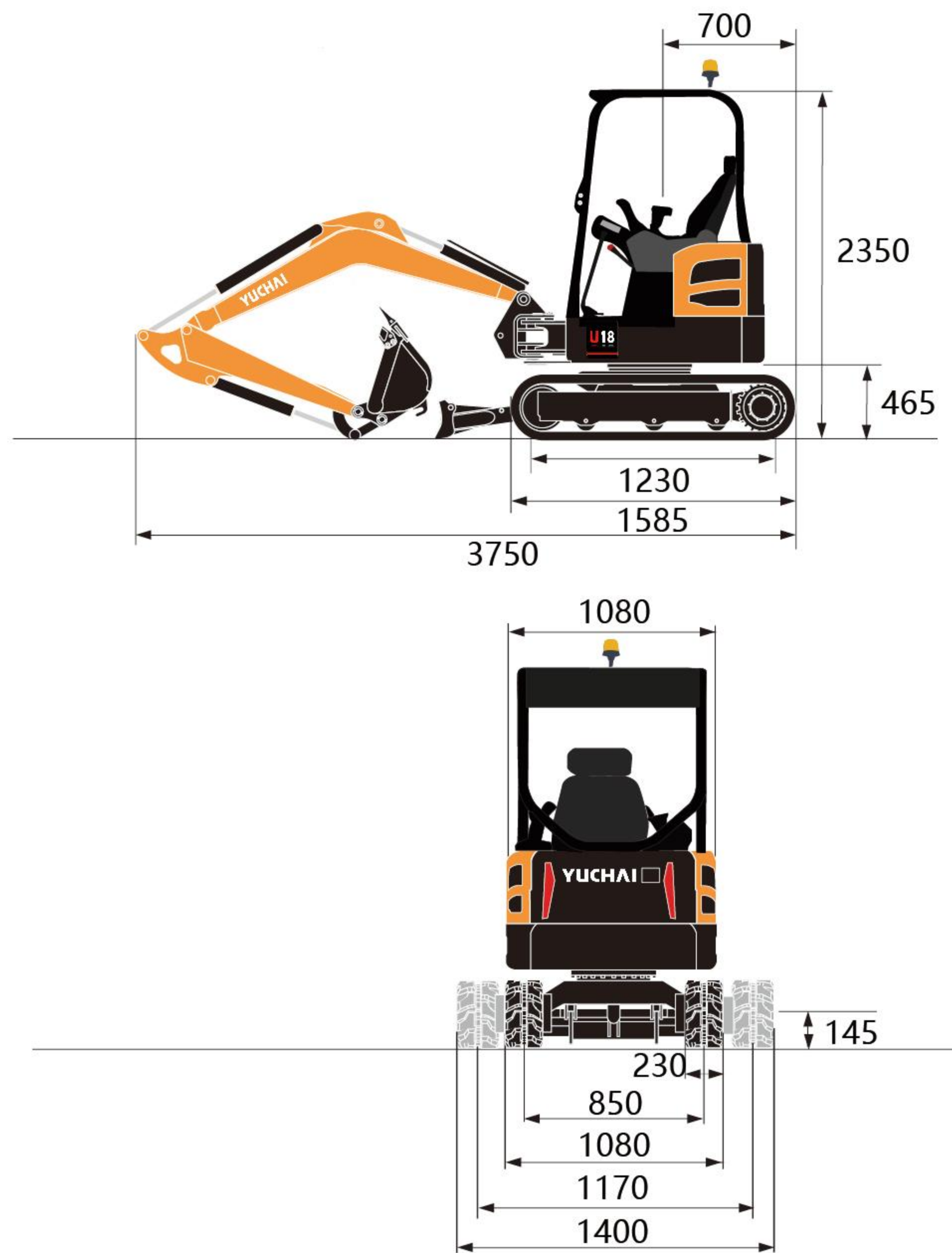
CE

Machine Weight: (Rubber track /Steel track) 1800/1880 kg

Bucket capacity: 0.05 m

Engine power: 14.5/2400 / 15.2/2500 kW/rpm

- Optional Euro V / Tier4 engine (Yanmar engine)
- Telescopic chassis, Solid and reliable
- Low fuel consumption
- Swiftly detachable canopy
- Operation in utmost comfort
- Easy maintenance
- Standard with Rubber Tracks



## ► Technical Specification

### Basic parameter

Machine weight	1800/1880 kg
Bucket capacity	0.05 m <sup>3</sup>
Width of bucket	470 mm

### Performance parameter

Engine model	Yanmar 3TNV88 /3TNV88F
Engine power	14.5/2400 / 15.2/2500 kW/rpm
Max. Gradeability	30 °
Max. digging force of arm	9.5 kN
Max. digging force of bucket	17.2 kN
Traveling speed	2/4 km/h
Max. hauling force	22 kN
Slewing speed of platform	11 rpm

### Operating parameter

Max. digging height	3615 mm
Max. digging depth	2300 mm
Max. digging radius	4125 mm
Max. digging radius on ground level	4060 mm
Max. dumping height	2500 mm
Min. slewing radius	1690 mm
Max. vertical digging depth	1905 mm

### Transportation dimension

Overall length	3750 mm
Overall width	1080 mm
Overall height	2350/2365 mm

### Other Parameter

Width of undercarriage	1080~1400 mm
Length of track	1585 mm
Width of track	230 mm
Height between undercarriage and ground	145 mm
Height between platform and ground	465 mm
Platform tail turning radius	700 mm
Length to center of rollers	1230 mm
Fuel tank capacity	25 L
Hydraulic oil tank capacity	21.5 L
Track gauge	850/1170 mm
Working Pressure	24 Mpa
Arm length	950 mm
Boom length	1828 mm
Steering head angle	60°(L)/70°
Flow rate	61.6 L/Min

Guangxi Yuchai Heavy Industry Co.,Ltd.  
 Address:Yuchai Engineering Machinery Industry Center,Luchuan,China  
 Tel: +86-775-3223503  
 Fax:+86-775-3223503  
 Email: dig@yuchai.cn, ychi-export@yuchai.cn  
 Website:www.yuchaicm.com

Specifications are subject to change without prior notice