

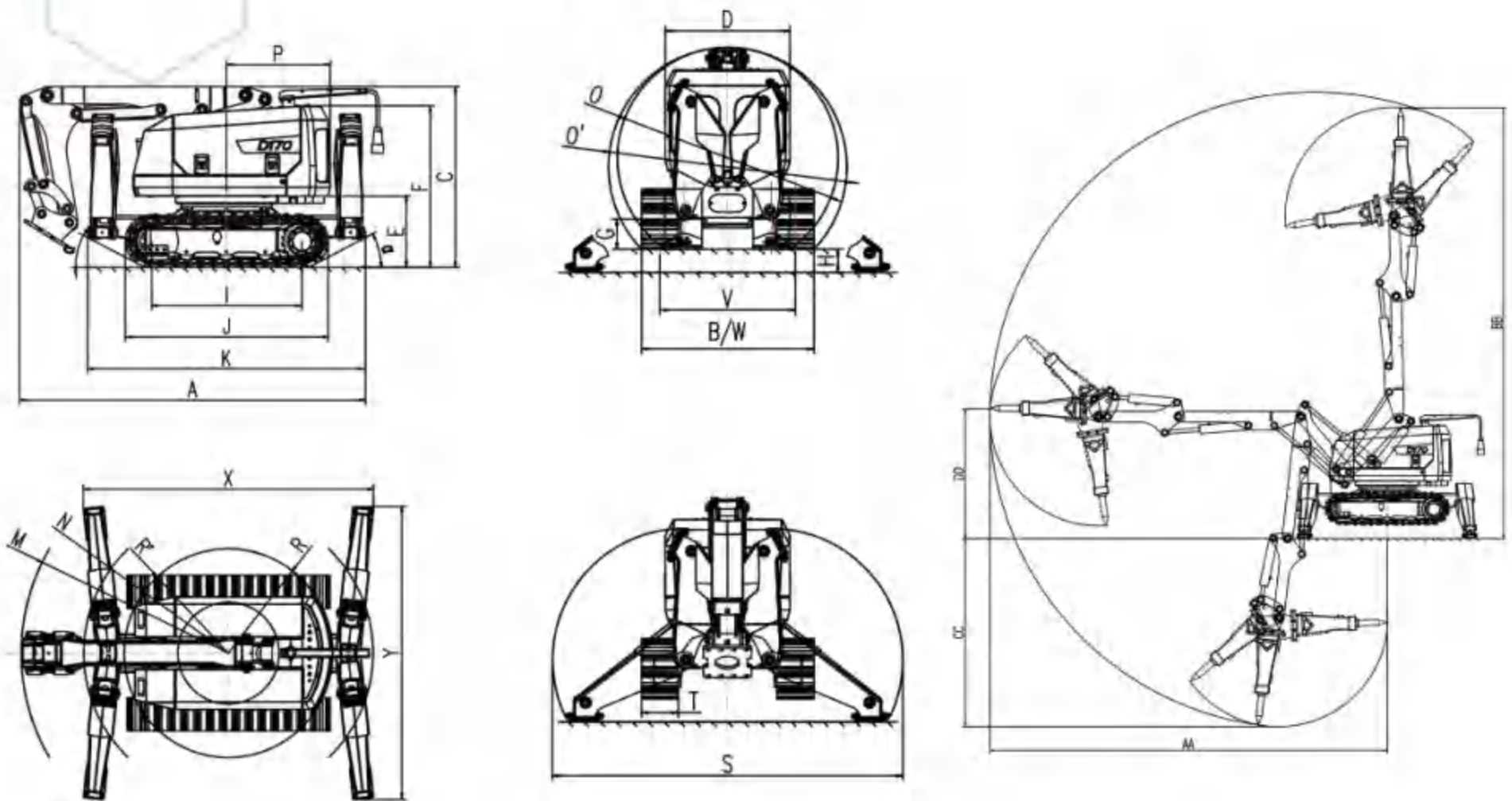
Excellent terrain traversal capability
Operates in all angles
Strong demolition capabilities
Remote control, Safety, Reliability

Saving **90%** on fuel costs
0 maintenance in **2000** hours
Low failure rate

Yuchai D170 Electric Remote-Controlled Demolition Robot

The Yuchai D170 electric remote-controlled demolition robot, developed by YuchaiHI, is a compact and agile equipment designed for precise operations in narrow spaces. With a body width of 780mm, it can pass through various terrain.

It can operate in wide angle, offering powerful demolition capabilities, high-temperature resistance, remote control functionality, and ensuring safety. Versatile and adaptable, it suits various harsh environments such as construction sites, metallurgical plants, cement factories, tunnels, emergencies, and nuclear industries.



D170 Equipment Parameters

Performance Parameters

Total Weight (Rubber Tracks)	1850 kg
Total Weight (Steel Tracks/Track Pads/Extension Device /Additional Weight each increased by 50kg)	2050 kg
Rated Power	24 kW/1454 rpm
Voltage/Frequency/Current	380 V/50 Hz/47 A
Max. slewing Speed	6 r/min
Max. Travel Speed	2 km/h
Max. ground Pressure Ratio	33 kPa
Noise Power (with/without Breaker)	87/118 dB (A)
Max. Cradeability	30° (58%)
Max. total Traction Forceta	22 kN
Hydraulic System	Load-Sensitive System
System Rated Flow	65.4 L/min
Standard System Pressure	170 Bar
Reinforced System Pressure	230 Bar
Hydraulic Tank Capacity	32 L
Control Method	Remote Control (optional)
Remote Control Distance	300 m (optional)
Control System Voltage	24V
Hammer Model	SB202
Hammer Weight	200 kg
Standard Drill Rod	Φ65×600 mm
Rated Pressure	100-150 Bar
Rated Flow	35-65 L/min
Impact Frequency	850-1800 bpm

Operating parameter

A Overall Length	2400 mm
B Overall Width (folded/unfolded leg)	780/1080 mm
C Overall Height	1255 mm
I Ground Length of Tracks	1045 mm
J Track Length	1410 mm
V Track Gauge (folded/unfolded leg)	550/850 mm
W Full Track Width (folded/unfolded leg)	780/1080 mm
T Track Width	230 mm
E Height of Counterweight from Ground	495 mm
F Height of rear panel	1120 mm
G Min. Ground Clearance	190 mm
P Tail Length	720 mm
N Leg Turning Radius	1000 mm
O Machine Passing Diameter	1380/1490 mm
K Machine Length	1930 mm
D Platform Width	780 mm
H Support Height	145 mm
S Max. Width of Legs when Open	2190 mm
X Front and Rear Support Span	2010 mm
Y Left and Right Support Span	2030 mm
α Front/Back Departure Angle	27°
AA Max. Operating Radius	4450 mm
BB Max. Operating Height	4820 mm
CC Max. Operating Depth	2110 mm
DD Horizontal Operating Height	1450 mm
Platform slewing Angle	360°

Specifications are subject to change without prior notice.