



YC60

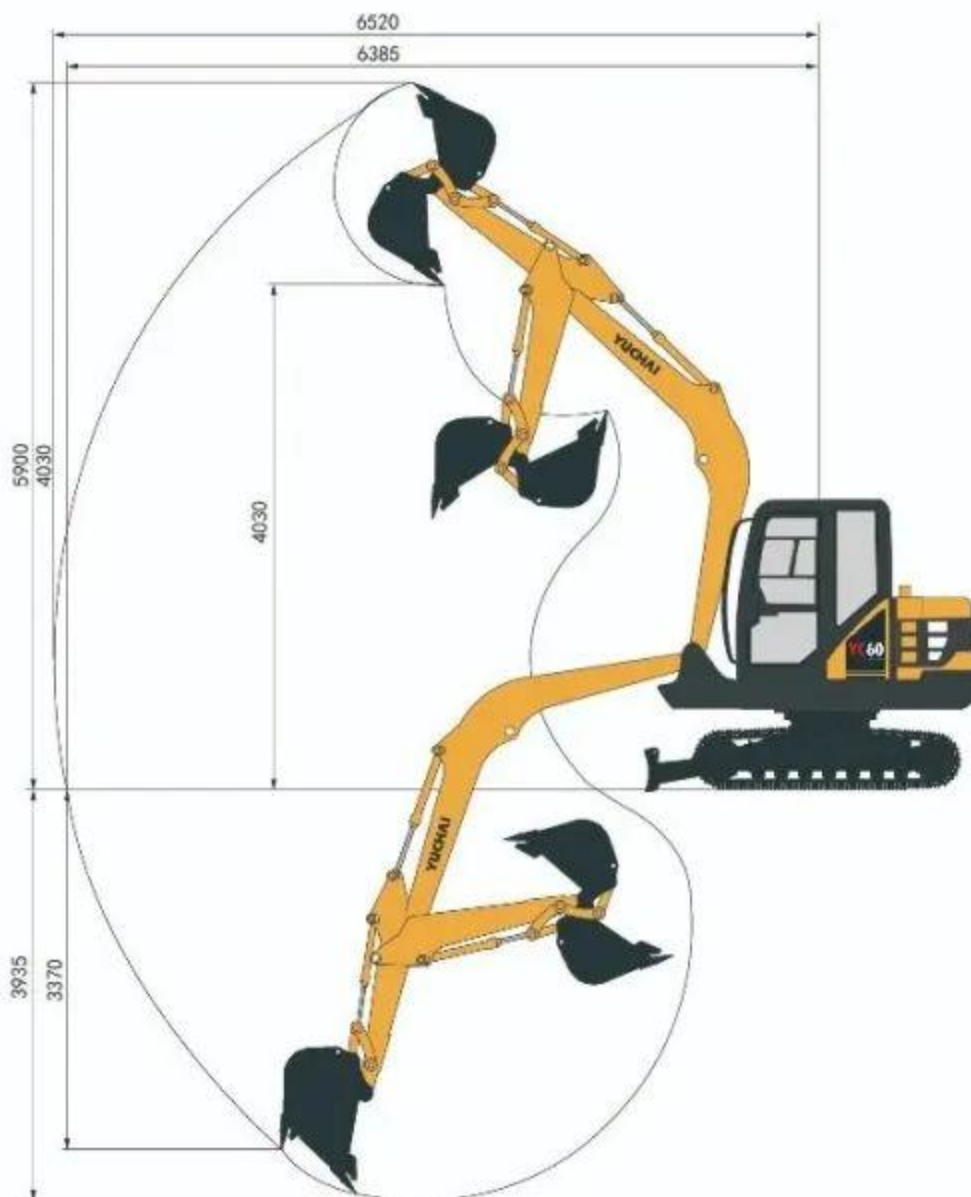
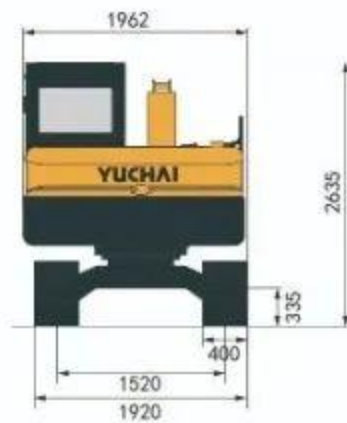
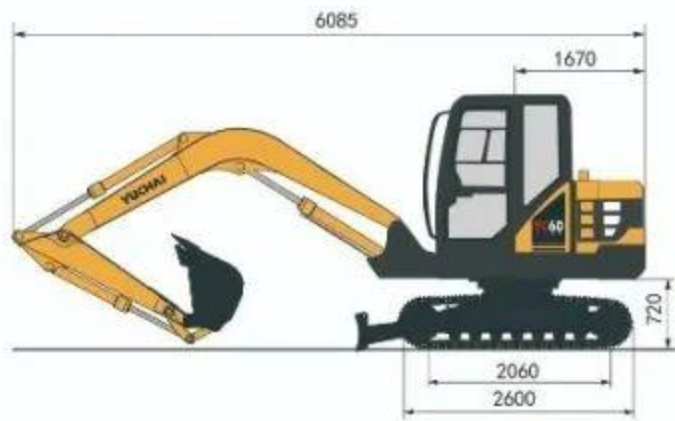
CE

Machine Weight: 6000 kg

Bucket capacity: 0.26 m³

Engine power: 35/2200 kW/rpm

- Structural Reliability
- Excellent Performance
- Fuel saving and high efficiency
- Brand new large cabin
- Convenient maintenance
- The ability to level soil reaches over 1.5 meters



► Technical Specification

Basic parameter

Machine weight	6000 kg
Bucket capacity	0.23 m ³
Width of bucket	775 mm

Performance parameter

Engine model	kubata / V2607
Engine power	35/2200 kW/rpm
Max. Gradeability	35 °
Max. digging force of arm	32.9 kN
Max. digging force of bucket	42.3 kN
Traveling speed	2.9/4.8 km/h
Max. hauling force	46.5 KN
Slewing speed of platform	11~13.5 rpm

Operating parameter

Max. digging height	5900 mm
Max. digging depth	3935 mm
Max. digging radius	6520 mm
Max. digging radius on ground level	6385 mm
Max. dumping height	4030 mm
Min. slewing radius	2685 mm
Max. vertical digging depth	3370 mm

Transportation dimension

Overall length	6085 mm
Overall width	1962 mm
Overall height	2635 mm

Other Parameter

Width of undercarriage	1920 mm
Length of track	2600 mm
Width of track	400 mm
Height between undercarriage and ground	335 mm
Height between platform and ground	720 mm
Platform tail turning radius	1670 mm
Length to center of rollers	2060 mm
Fuel tank capacity	122 L
Hydraulic oil tank capacity	77 L
Track gauge	1520 mm
Working Pressure	25 Mpa
Arm length	1699.2 mm
Boom length	3118 mm
Flow rate	138.6 L/Min

Guangxi Yuchai Heavy Industry Co.,Ltd.
 Address:Yuchai Engineering Machinery Industry Center,Luchuan,China
 Tel: +86-775-3223503
 Fax:+86-775-3223503
 Email: dig@yuchai.cn, ychi-export@yuchai.cn
 Website:www.yuchaicm.com

Specifications are subject to change without prior notice