



# U27

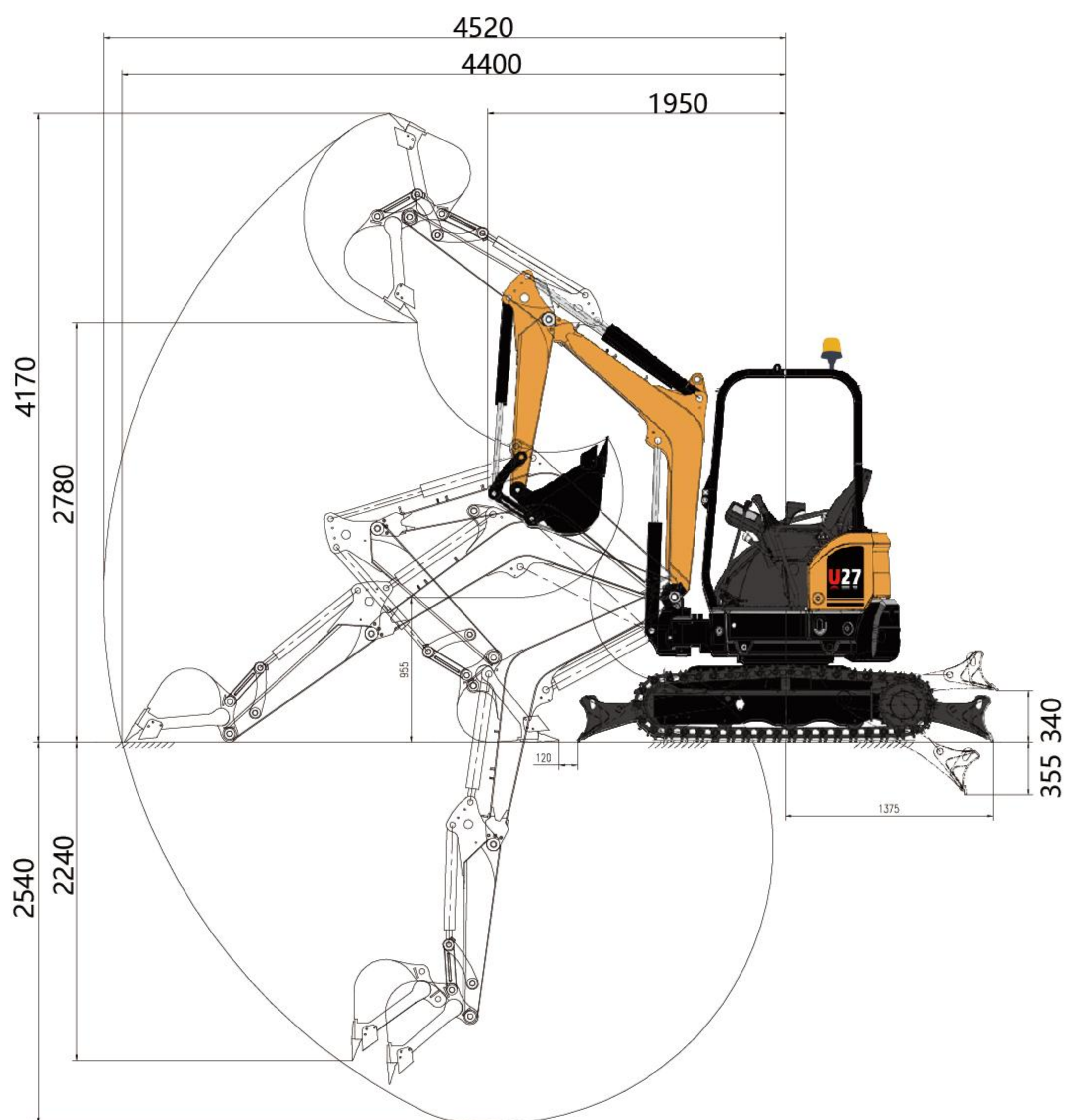
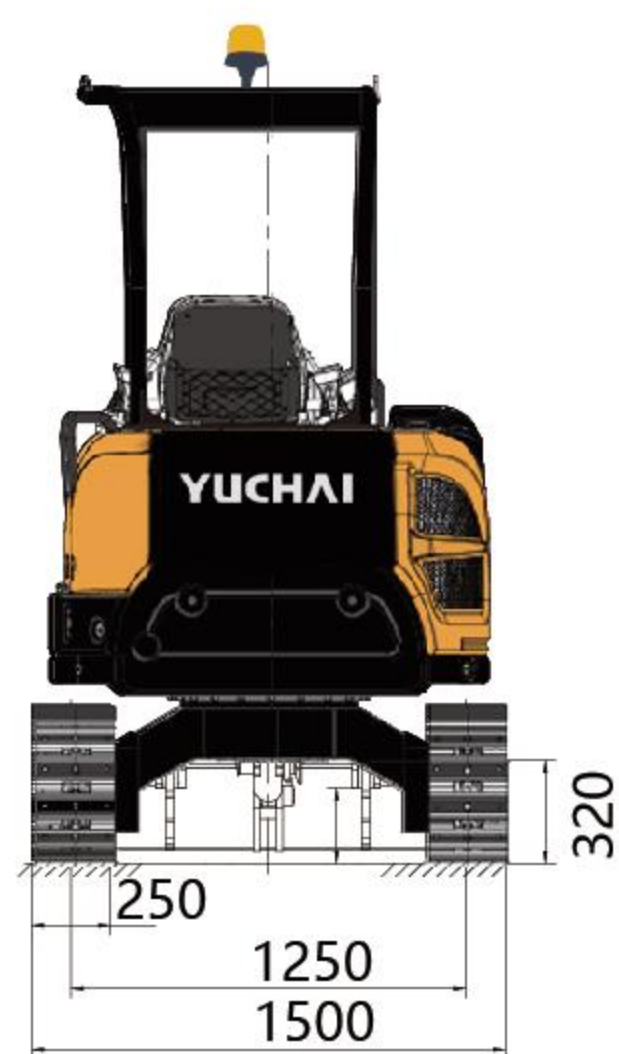
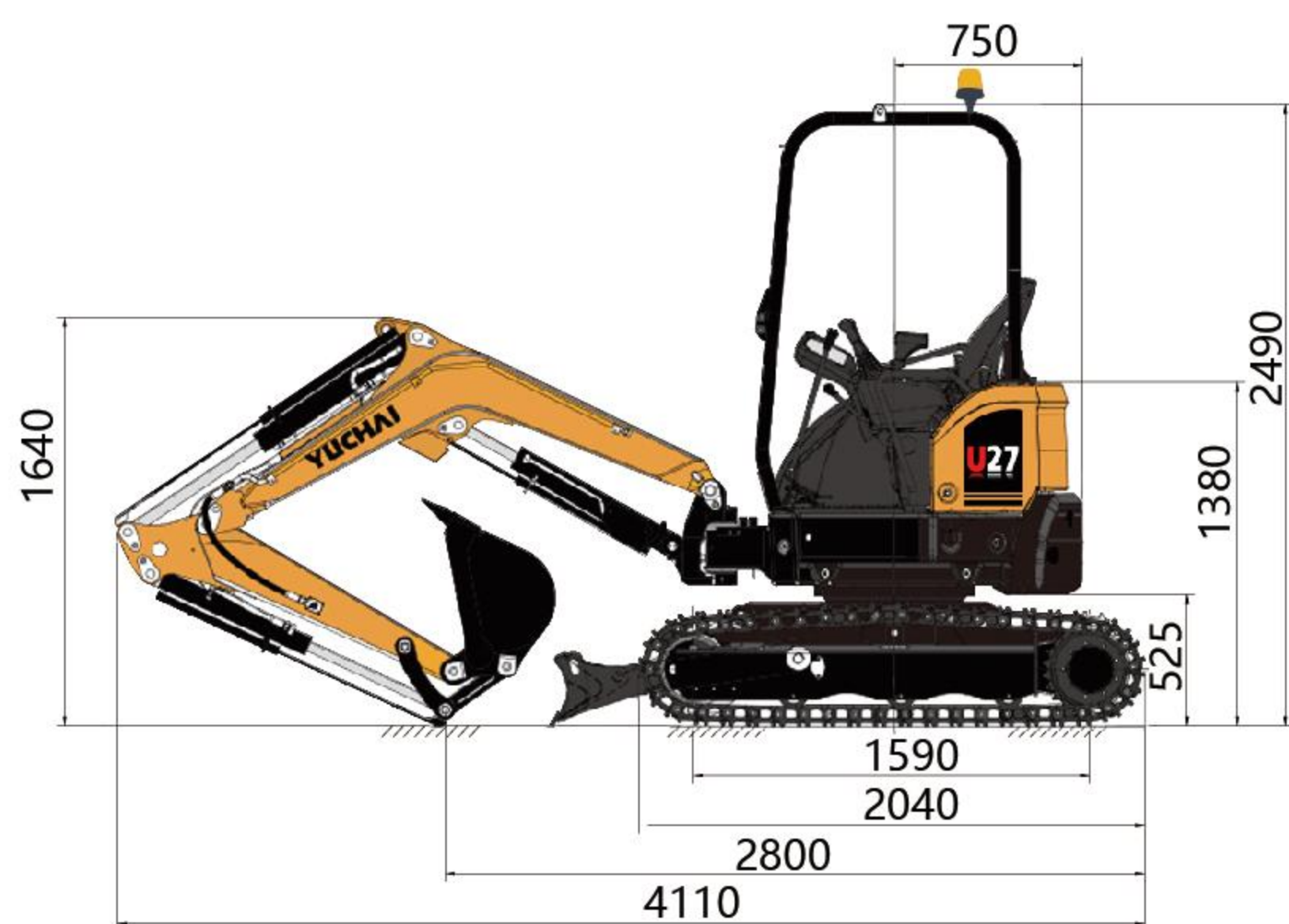
CE

Machine Weight: (canopy/cabin) 2600/2740 kg

Bucket capacity: 0.09 m<sup>3</sup>

Engine power: 14.5/2400 /15.2/2500 kW/rpm

- Euro V engine (Yanmar engine)
- Load sensitive hydraulic system
- Superior working efficiency
- Low fuel consumption
- Standard with Rubber Tracks



## ► Technical Specification

### Basic parameter

Machine weight	2600/2740 kg
Bucket capacity	0.09 m <sup>3</sup>
Width of bucket	510 mm

### Performance parameter

Engine model	Yanmar 3TNV76 /3TNV80F
Engine power	14.5/2400 / 15.2/2500 kW/rpm
Max. Gradeability	30 °
Max. digging force of arm	14.4 kN
Max. digging force of bucket	23.4 kN
Traveling speed	2.3/4.2 km/h
Max. hauling force	26 KN
Slewing speed of platform	10~12 rpm

### Operating parameter

Max. digging height	4170 mm
Max. digging depth	2540 mm
Max. digging radius	4520 mm
Max. digging radius on ground level	4400 mm
Max. dumping height	2780 mm
Min. slewing radius	1950 mm
Max. vertical digging depth	2240 mm

### Transportation dimension

Overall length	4110 mm
Overall width	1500 mm
Overall height	2490 mm

### Other Parameter

Width of undercarriage	1500 mm
Length of track	2040 mm
Width of track	250 mm
Height between undercarriage and ground	320 mm
Height between platform and ground	525 mm
Platform tail turning radius	750 mm
Length to center of rollers	1590 mm
Fuel tank capacity	30 L
Hydraulic oil tank capacity	25 L
Track gauge	1590 mm
Working Pressure	24 Mpa
Arm length	1150 mm
Boom length	2020 mm
Steering head angle	47°(L)/74°
Flow rate	61.6 L/Min

Guangxi Yuchai Heavy Industry Co.,Ltd.  
 Address:Yuchai Engineering Machinery Industry Center,Luchuan,China  
 Tel: +86-775-3223503  
 Fax:+86-775-3223503  
 Email: dig@yuchai.cn, ychi-export@yuchai.cn  
 Website:www.yuchaicm.com

Specifications are subject to change without prior notice