



# YC230-9

**Machine weight :** 23100 kg

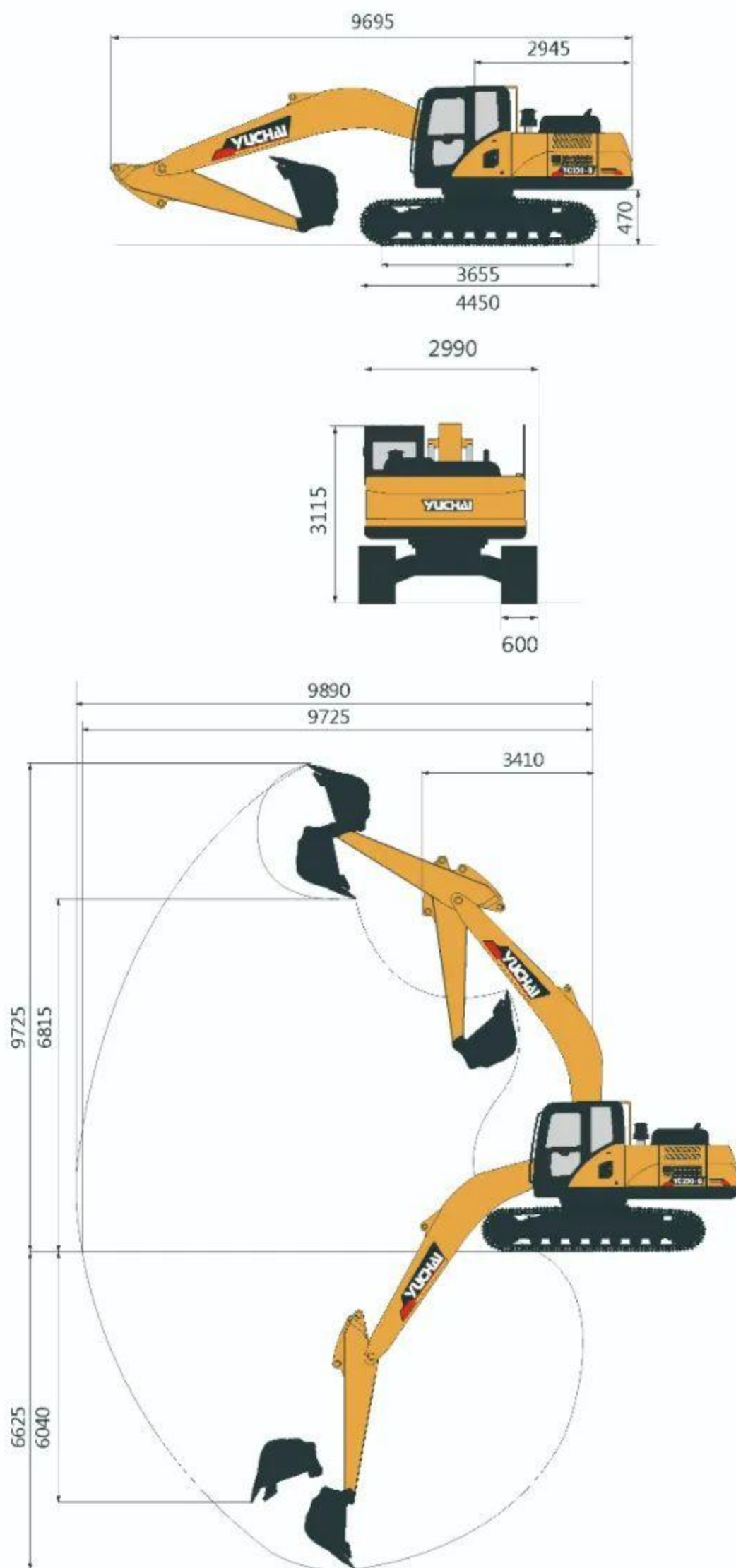
**Bucket capacity :** 1.08 m<sup>3</sup>

**Engine power :** 124/2050 kW/rpm

# CE

- Cummins Engine
- Structural Reliability
- Excellent Performance
- High Efficiency





## ► Technical Specification

### Basic parameter

Machine weight	23100 kg
Bucket capacity	1.08 m <sup>3</sup>
Width of bucket	1340 mm

### Performance parameter

Engine model	Cummins QSB7
Engine power	124/2050 kW/rpm
Gradeability	35 °
Max. digging force of arm	102 kN
Max. digging force of bucket	139.3 kN
Traveling speed	3.4/5.2 km/h
Max. hauling force	kN
Slewing speed of platform	13-15 rpm

### Operating parameter

Max. digging height	9725 mm
Max. digging depth	6625 mm
Max. digging radius	9890 mm
Max. digging radius on ground level	9725 mm
Max. dumping height	6815 mm
Min. slewing radius	3410 mm
Max. vertical digging depth	6040 mm

### Transportation dimension

Overall length of transportation	9695 mm
Overall width	2990 mm
Overall height	3115 mm

### Other Parameter

Width of undercarriage	2990 mm
Length of track	4450 mm
Width of track	600 mm
Min ground clearance	470 mm
Height between platform and ground	1070 mm
Platform tail turning radius	2945 mm
Wheel base	3655 mm
Fuel tank capacity	350 L
Hydraulic oil tank capacity	210 L

Guangxi Yuchai Heavy Industry Co.,Ltd.  
 Address:No.168 Tianqiao Road, Yulin, Guangxi, China  
 Tel: +86-775-3223503  
 Fax:+86-775-3223503  
 Email: dig@yuchai.cn, ychi-export@yuchai.cn  
 Website:www.yuchaicm.com

Specifications are subject to change without prior notice