



YC380

Machine Weight: 37300 kg

Bucket capacity: 1.8-2.2 m³

Engine power: 232 kW/rpm

- Structural Reliability
- Excellent Performance
- Fuel saving and high efficiency
- Brand new large cabin
- Comfortable driving experience
- Convenient maintenance

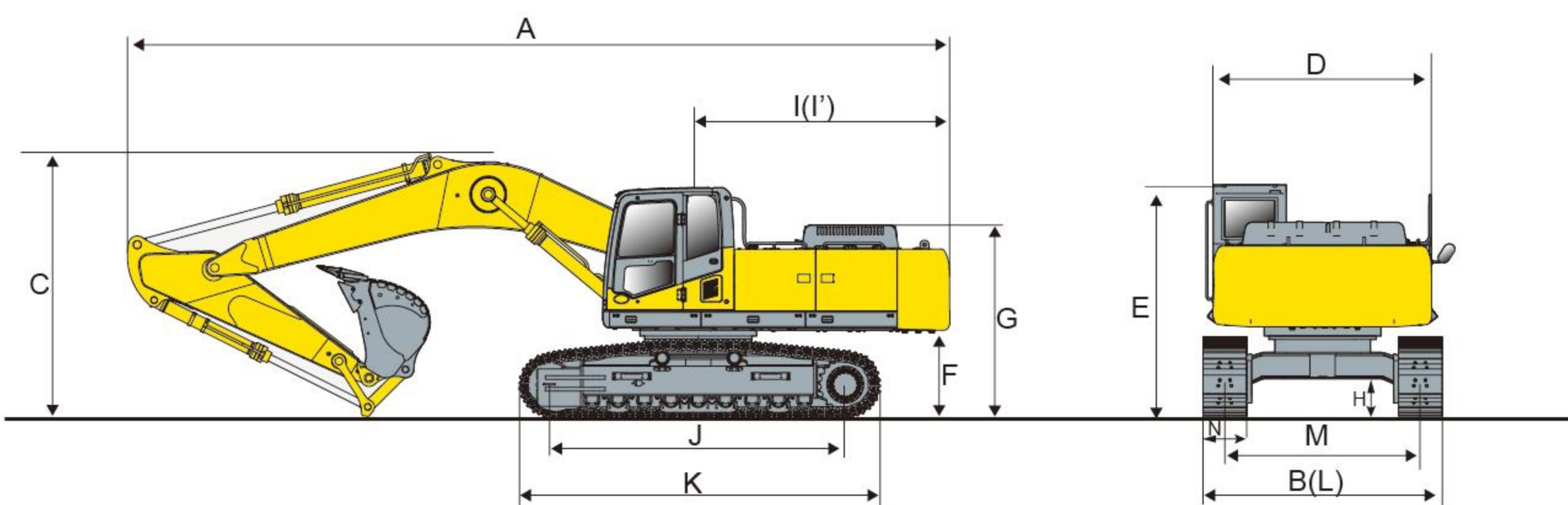
YC380 Dimensions and Working Range

Performance Parameters (Standard Model)

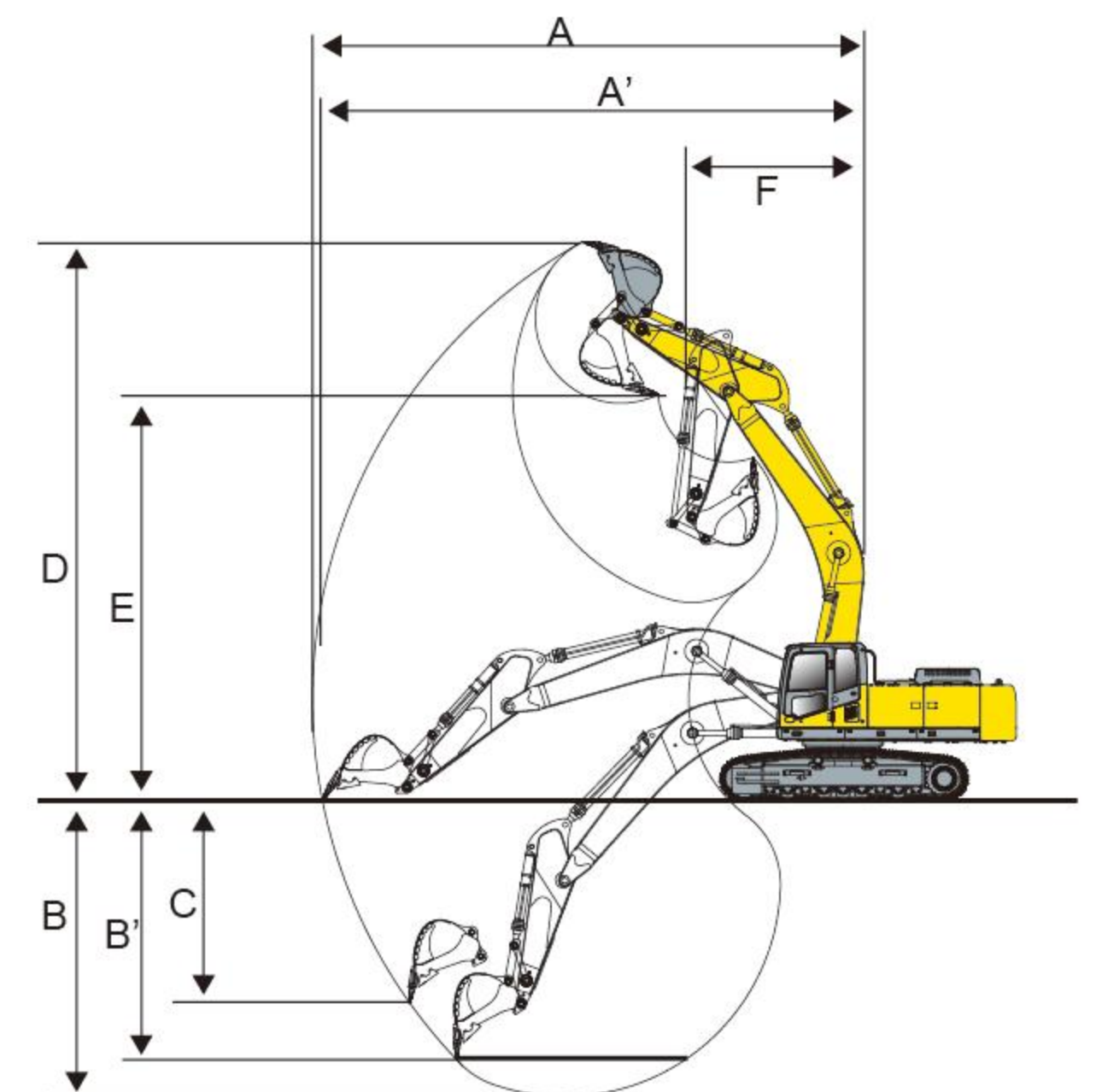
Item		Unit	
Operating Weight		kg	37300
Standard Bucket Capacity (SAE)		m ³	1.8
Engine	Model	-	Cummins QSL 9
	Rated Power	kW/rpm	232/1900
	Max. Torque	N.m/rpm	1343/1300
Hydraulic System	Operating Pressure	MPa	32.3/34.3
	Max. Flow Rate	L/min	2×320
Working Performance	Slewing Speed	rpm	9.4
	Travel Speed (High/Low)	km/h	5.5/3.3
	Max. Digging Force(Bucket)	KN	240
	Max. Digging Force (Arm)	KN	214
	Gradeability	%	70
	Max. Traction Force	KN	289
Travel Device	Track Length(K)	mm	4962
	J Wheel base of track shoe	mm	4050
	M Track Gauge	mm	2680
	N Track Shoe Width	mm	600
	Ground Pressure	kgf/cm ²	0.7
	H Minimum Ground Clearance (H)	mm	471
Tank Capacity	Fuel Tank	L	650
	Hydraulic Tank	L	350
Dimensions	A Overall Length	mm	11280
	B Overall Width	mm	3280
	C Overall Height	mm	3560
	F Minimum Slewing Radius	mm	1183
	I Rear Length	mm	3451
	D Upper Width	mm	3155
	E Cab Height	mm	3172
	I' Rear Slewing Radius	mm	3505

Standard Model		
Boom Length	Standard	6470mm
Arm Length	Standard	2600mm
	Option	2800mm
A Max. Digging Reach		10546mm
A' Ground Max. Digging Distance		10349mm
B Max. Digging Depth		5884mm
B' Max. Effective Digging Depth		5707mm
C Max. Vertical Digging Depth		4021mm
D Max. Digging Height		11110mm
E Max. Dumping Height		7900mm
F Minimum Swing Radius		3514mm

Dimensions



Working range



Guangxi Yuchai Heavy Industry Co.,Ltd.

Address:Yuchai Engineering Machinery Industry Center,Luchuan,China

Tel: +86-775-3223503

Fax: +86-775-3223503

Email: dig@yuchai.cn, ychi-export@yuchai.cn

Website:www.yuchaicm.com

Specifications are subject to change without prior notice